

## GDPD-3000C Portable Partial Discharge Detector



GDPD-3000C Portable Ultrasonic Partial Discharge Detector uses advanced cloud computing and automatic modeling technology to achieve the partial discharge signal measurement, recording, transmission, storage, analysis and exchange, providing powerful technical support for on-site measurement of partial discharge. The measurement personnel collect the partial discharge information by using GDPD-3000C, and the cloud computing can be used to intelligently diagnose the insulation state of detection equipment in real time.

### Specification

#### Hardware

- Processor: high performance intelligent processor.
- Screen: 4.3inch Touch Screen.
- Operation keys: PVE film keyboard.
- Interface:
  - 3.5mm stereo headphone interface
  - DC LV current charging interface
  - USB 2.0 3G wireless network interface
  - TF memory card interface
  - External probe sensor interface
- TF memory card: 4G-32G.

- 
- Headphones: Min. 8Ω.
  - External probe: Ultrasonic probe extension line 250mm.
  - Enclosures material: ABS+PC Plastique.
  - Weight: 0.7kg;
  - Dimension: 241\*126\*189mm

## Operating Environment

- Operation temperature: 0~55°C.
- Operation humidity: 0~90% RH, non-condensing.
- IP rates: 54.

## Ultrasonic Sensor Parameters

- Measuring range: -20dBμV~65dBμV.
- Resolution: 1dB.
- Accuracy: ±1dB.
- Sensitivity: -65dB.
- Frequency: 40kHz.
- Diameter: 16mm.
- Test source: 25dB~35dB.

## TEV Parameters

- Sensor: Capacitive.
- Measuring range: 0dBμV~60dBμV.
- Resolution: 1dB.
- Accuracy: ±1dB.
- Max Number of Pulses/Cycle: 655.
- Min number of pulses: 5Hz

---

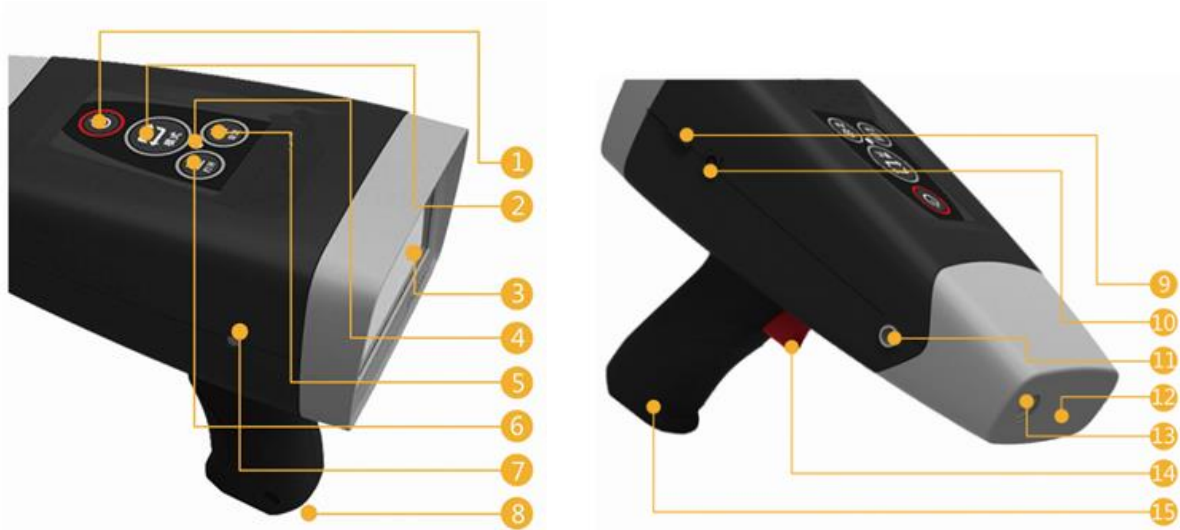
## Power Supply

- Internal battery: 3.7V, 5.6Ah rechargeable Lithium-ion.
- Typical operating time: approx. 6 hours.
- Battery protection: Auto shutdown time, default 10 mins.
- Rated voltage of charger: 90-264V AC.
- Charging voltage/current: 5V/2.4A.
- Charging Time: approx. 9 hours.

## Packing list

Main unit	1 pc
External ultrasonic probe	1 pc
Monitor headphones	1 pc
Function detector	1 pc
Charger	1 pc
Memory card(inside the main unit)	1 pc
Card reader	1 pc
Touch pen	1 pc
Parabolic sensor(optional)	1 pc
User's guide	1 pc
Factory test report	1 pc

## Panel Instruction



1. ON/OFF key
2. Mode (Ultrasonic/TEV mode switching)
3. Screen
4. Charging indicating LED
5. Set (enter settings interface)
6. Open (Open saved data)
7. Headphone interface
8. Strap
9. TF card slot
10. Power interface
11. External ultrasonic probe interface
12. TEV sensor
13. Ultrasonic sensor
14. Function key
15. 3G card slot